

DISSOLVED OXYGEN ANALYZER/TRANSMITTER

Model: ODM-110A

FEATURES

- Microprocessor based 4-wire transmitter suitable for field installation. The unit features isolated inputs and outputs, digital display and rainproof construction.
- Simple span calibration:
The instrument can be calibrated in one action by virtue of memory resistant saturated DO (Dissolved Oxygen) data stored in the memory. The built-in stabilization determination function enables the unit to be accurately calibrated preventing operator error.
- Automatic determination of electrode quality:
During calibration, the electrode quality is automatically evaluated. An error message is generated when the electrode quality deteriorates to an unacceptable level.
- Output range adjustment, the output range can be easily reconfigured.
- Output signal can be frozen during maintenance work. By switching to ST-BY (Stand By) mode the output value can be held to avoid disruption to the process control system.
- Facility to receive external contact switching signal to hold output (for example, during electrode cleaning etc).

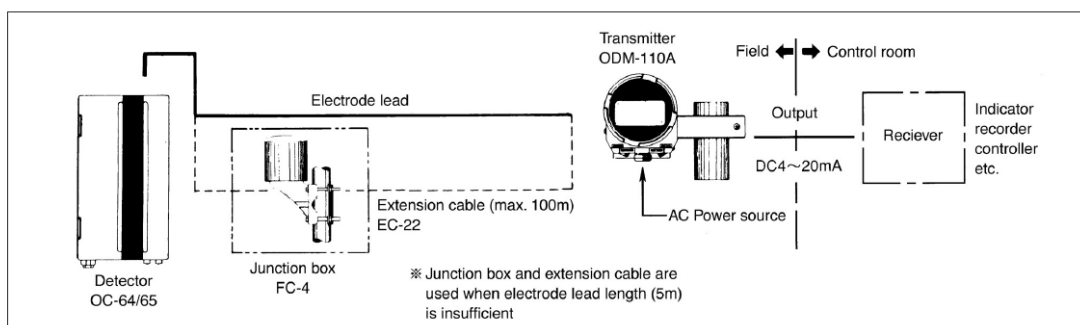


STANDARD SPECIFICATIONS

Product Name	: DO analyser/Transmitter (for industrial use).
Model	: ODM-110A.
Measurement Range	
DO	: 0.00~20.0, 50.0, 100.0, 200.0, 500, 1000 & 2000µg/L (output range)
SAT	: 0.0~150.0%
O ₂	: 0.0~30.0%
Temp	: 0.0~100.0°C
Indication	: Digital indication on LCD.
Resolution	
DO	: 0.1µg/L but 1µg/L over 500µg/L of measurement range.
SAT	: 0.1%
O ₂	: 0.1%
Temp	: 0.1°C
Linearity	: Within ±1%FS, with equivalent input. (0~20µg/L range; ±0.5µg/L, 0~50µg/L range; ±1µg/L).

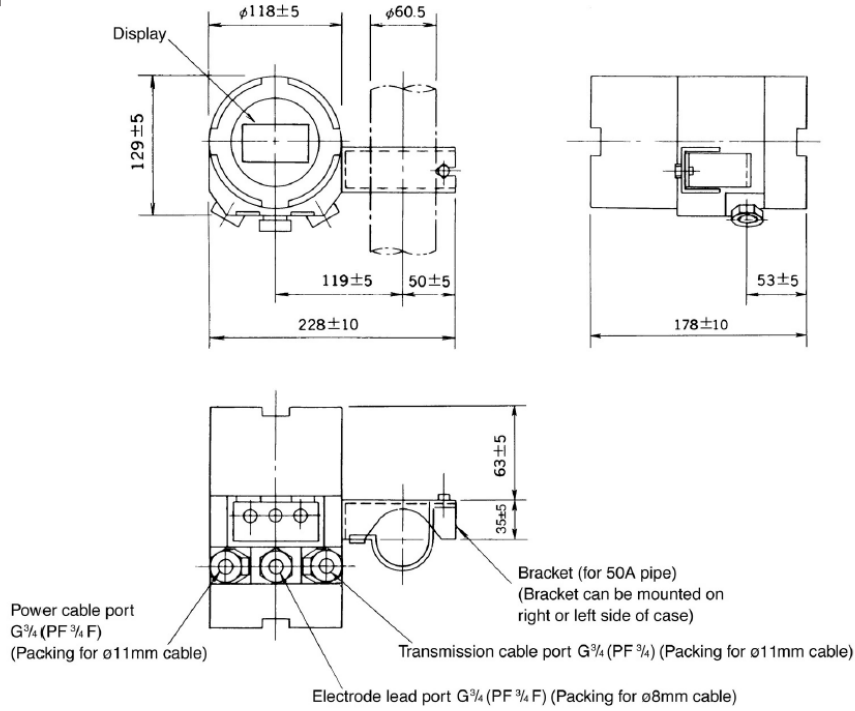
Temp. Compensation Range	: 0~45°C.
Temperature Compensation Accuracy	: Within ±3%FS to 0~45°C. (Dependant on equivalent input of electrode).
Output	: DC 4~20mA Isolated (load resistance 650Ω or less).
Ambient Conditions	: -20~55°C, 99%RH or less.
Power Supply	: AC 90~132V 50/60Hz or AC 180~264V 50/60Hz.
Power Consumption	: Approx. 3VA.
Weight	: Approx. 3kg.
Installation	: Outdoor Installation, IP55. (IP65 avail.)
Mounting	: Mounted on a 50A pipe.
Cable Port	: G ³ / ₄ (PF ³ / ₄) 3 ports.
Materials of Construction	
Main Body	: Aluminium Alloy.
Window	: Resin.
Paint Colour	: Metallic silver and blue.

SYSTEM CONFIGURATION

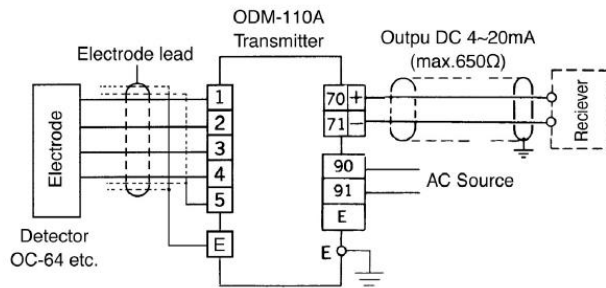


DIMENSIONS

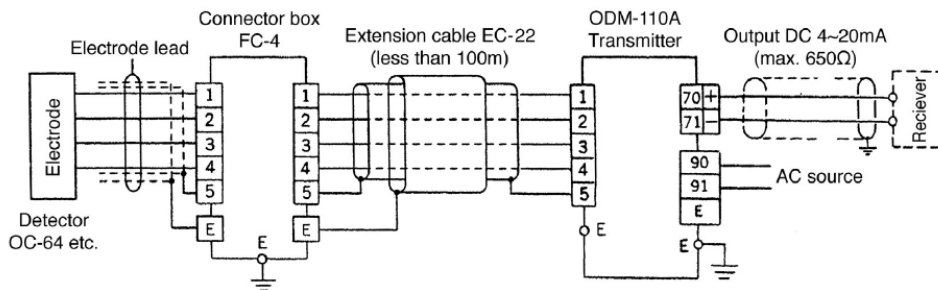
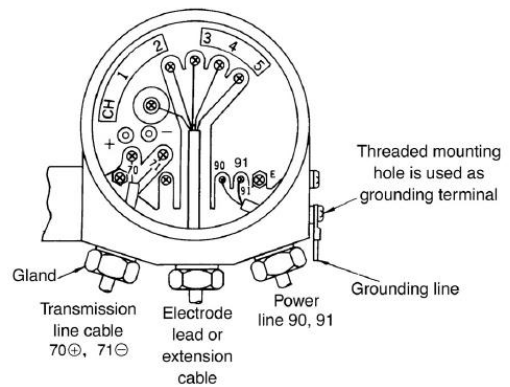
Units: mm



WIRING CONNECTIONS



TERMINAL CONNECTIONS



DKK-TOA CORPORATION**CAUTION**

Do not operate products before consulting instruction manual.

International Operations:

DKK-TOA Corporation

29-10, 1-Chome, Takadanobaba, Shinjuku-ku, Tokyo 169-8648 Japan

Tel: +81-3-3202-0225 Fax: +81-3-3202-5685

Representative Office (Europe):

DKK-TOA European Representative

St. Johns Innovation Centre, Cowley Rd., Cambridge CB4 0WS UK.

Tel : +44 (0)1223-526471 Fax : +44 (0)1223-709239

<http://www.toadkk.co.jp>

Information and specifications are for a typical system and are subject to change without notice.